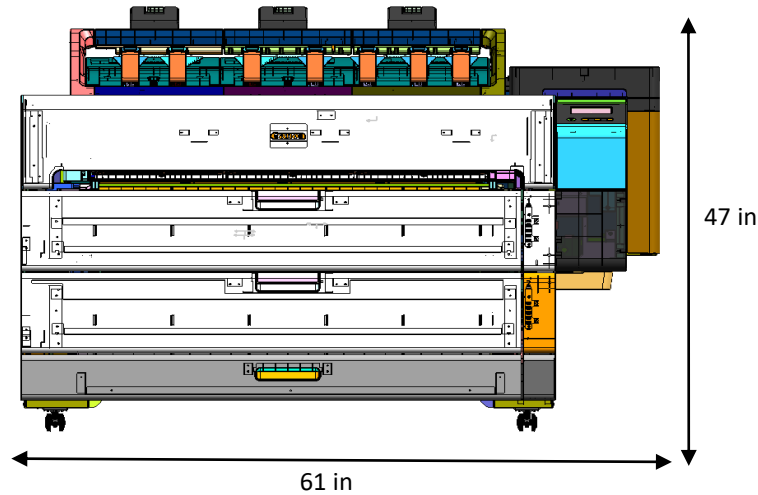


# Canon imagePROGRAF TZ-30000 Dimensions

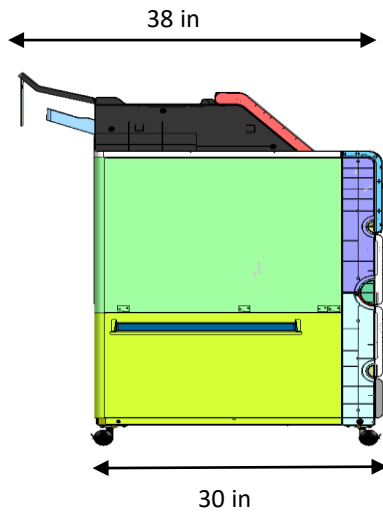


Unit Description	HxWxD (in) ; Weight (lbs)
Main Unit	45 x 61 x 30 in (basket closed) 454 lbs
Main Unit, Paper Output Support, & Top Output Guide	47 x 61 x 38 in (basket closed) 47 x 61 x 51 in (basket opened) 456lbs
Packaged Printer (Main Unit with Basket, Paper Output Support, Top Output guide, and pallet)	54 x 67 x 37 in 604 lbs

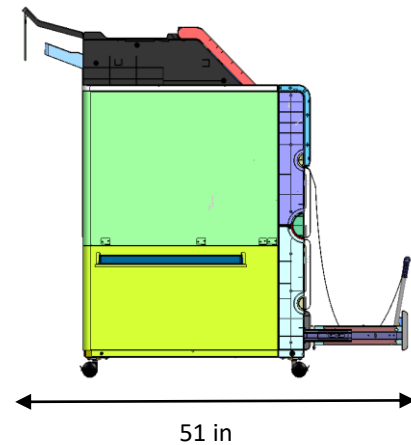
## Main Unit



## Basket Closed



## Basket Opened



Unit Description	HxWxD (in) ; Weight (lbs)
MFP (unpackaged)	50.4 x 62.2 x 37.8 in 478 lbs
Z36 Scanner (unpackaged)	6.1 x 41.6 x 9.9 in 17lbs 3 oz
Z36 Scanner (packaged)	16.4" x 44.29" x 14.37" in 45 lbs 13.7 oz

## AIO Controller

